



Fresenius Medical Care NA

Waltham, MA 02451

1.800.323.5188

INSTRUCTIONS FOR USE

stay•safe[®] Drain Set

Cat. No. 026-20030

Sterile single use disposable

Storage: 32°F — 104°F (0°C — 40°C)

CAUTION: Federal law restricts this device to sale by or on the order of a physician.

INDICATIONS FOR USE

The stay•safe Drain Set is indicated for use by patients with acute and chronic end-stage renal disease undergoing peritoneal dialysis (PD) in a healthcare facility or at home. The stay•safe Drain Set is used to connect directly to the stay•safe catheter extension set to enable drainage and/or effluent sampling as needed.

WARNINGS

Use aseptic technique with every connection and disconnection to reduce the risk of infection.

For single patient use only. Do not reuse, reprocess, or resterilize this product. The reuse of the line may increase the risk of peritonitis.

Drain Set is packaged with cap in place. Cap must be in place prior to use. The use of an uncapped or

damaged product may increase the risk of infection.

Touching the inside of the connector may increase the risk of infection.

PRECAUTIONS

Ensure connections are secure prior to use.

STERILE PRODUCT: EO STERILIZED

Cap must be in place to ensure sterility and a non-pyrogenic fluid pathway.

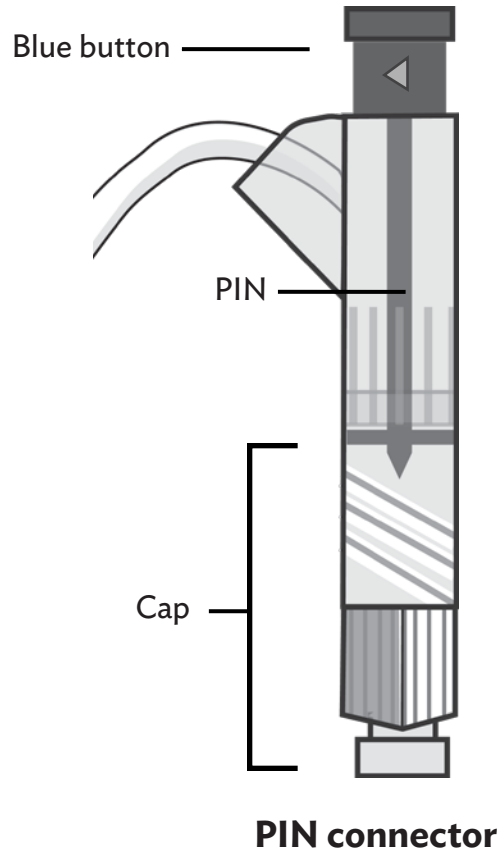
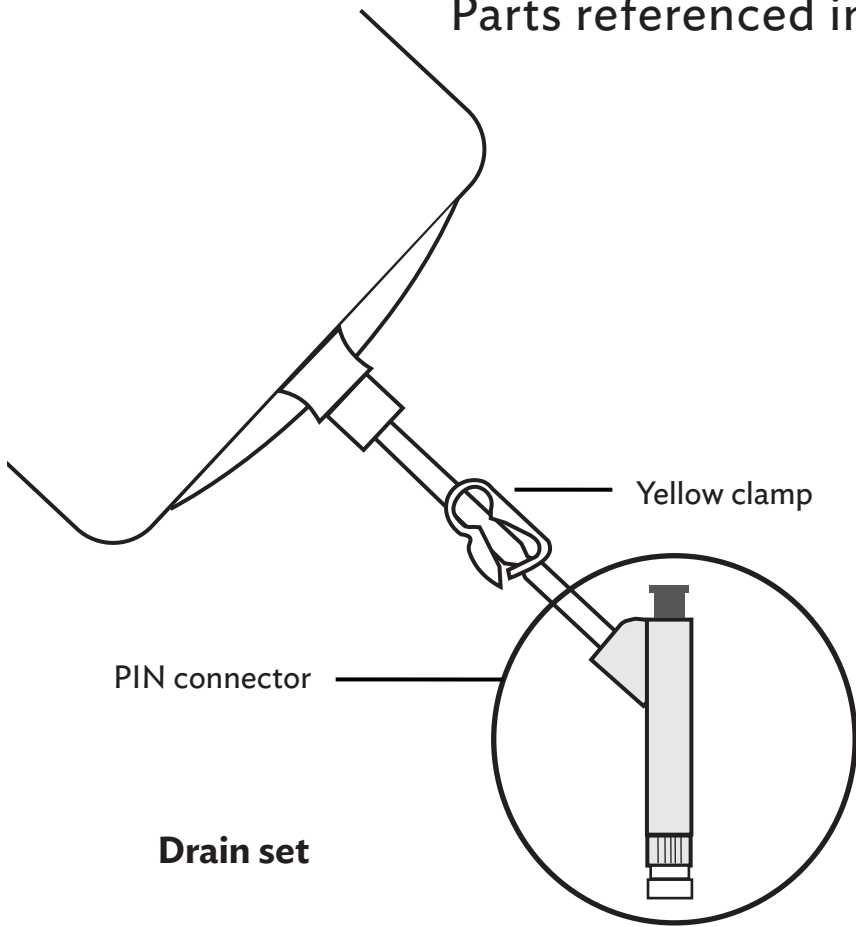
SAMPLING PROCESS

To remove a sample for testing, please consult with your PD Nurse for proper procedure.

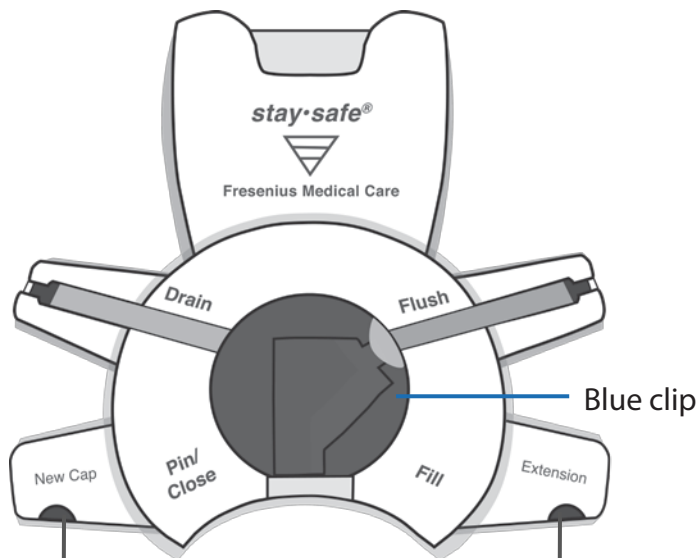
This product and/or its components are protected under U.S. patents 6,482,189 and comparable patents issued or pending in other countries.

Assembled in Mexico.

Parts referenced in this guide



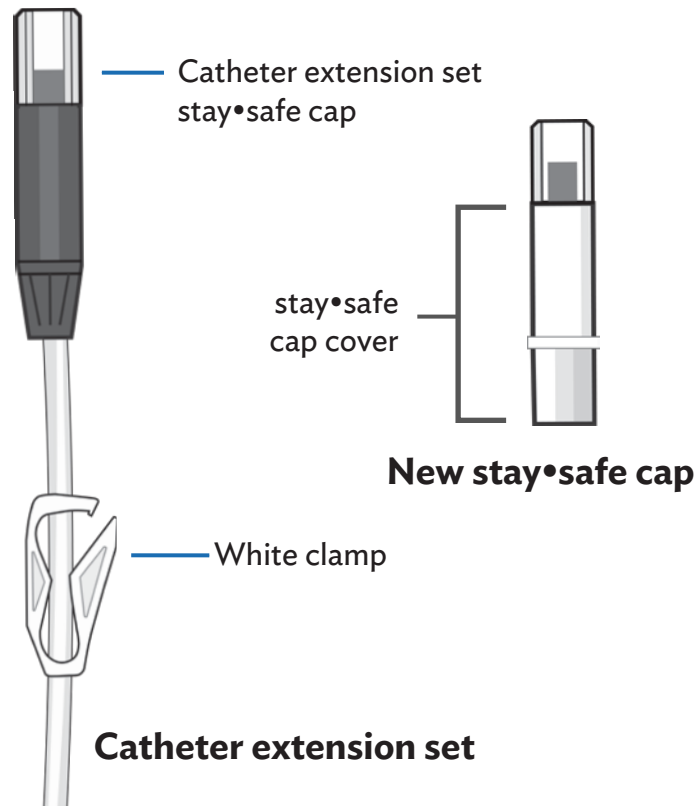
Parts referenced in this guide (cont'd)



stay•safe® organizer

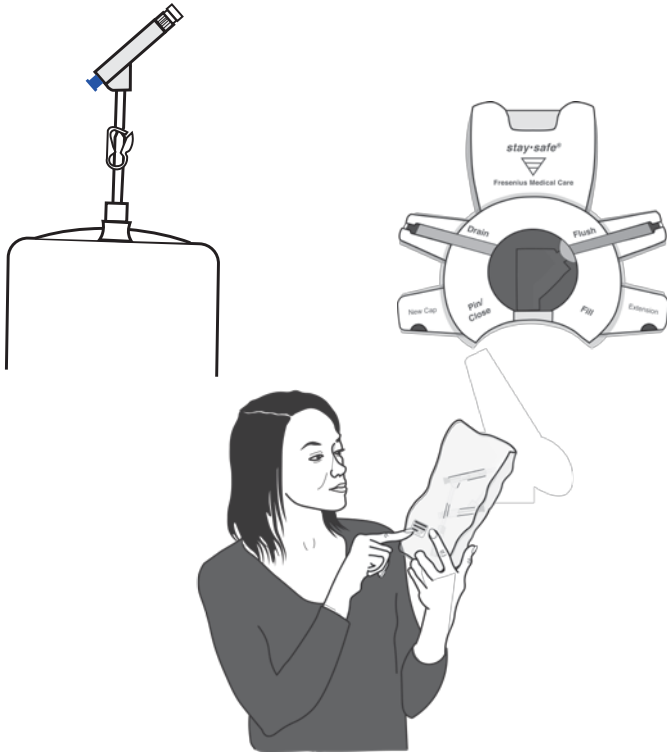
Organizer notch
for new stay•safe cap

Organizer notch
for extension set



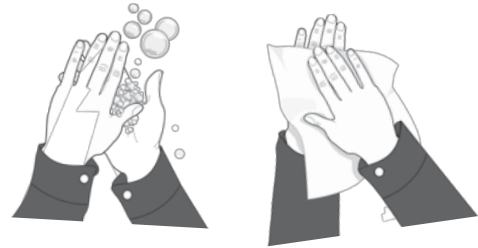
Catheter extension set

CONNECTING
TO THE CATHETER EXTENSION SET



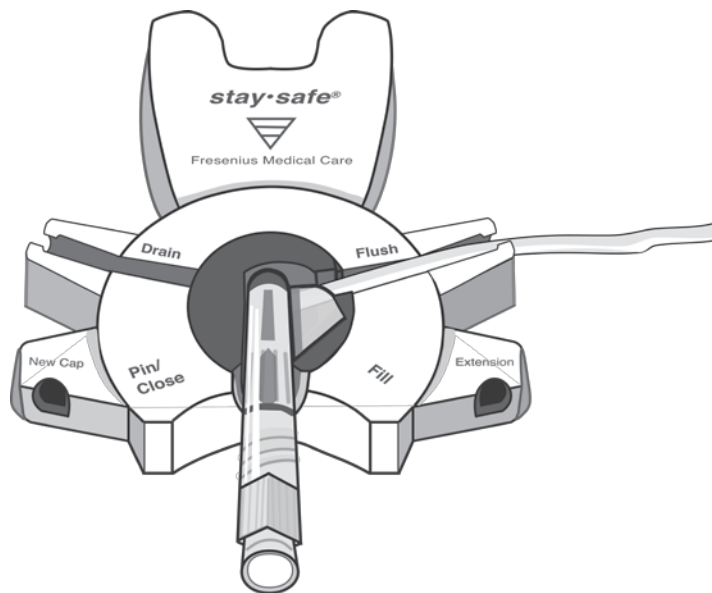
1

Gather drain set and organizer. Check expiration date. Prepare work area per facility procedure.



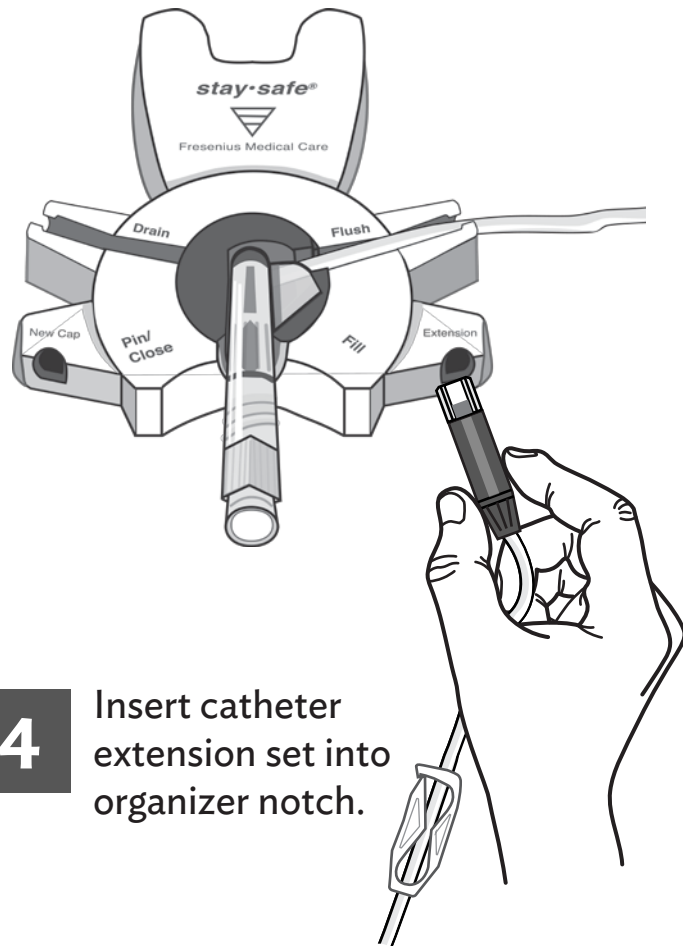
2

Use aseptic technique: Mask, wash and dry hands per facility procedure.



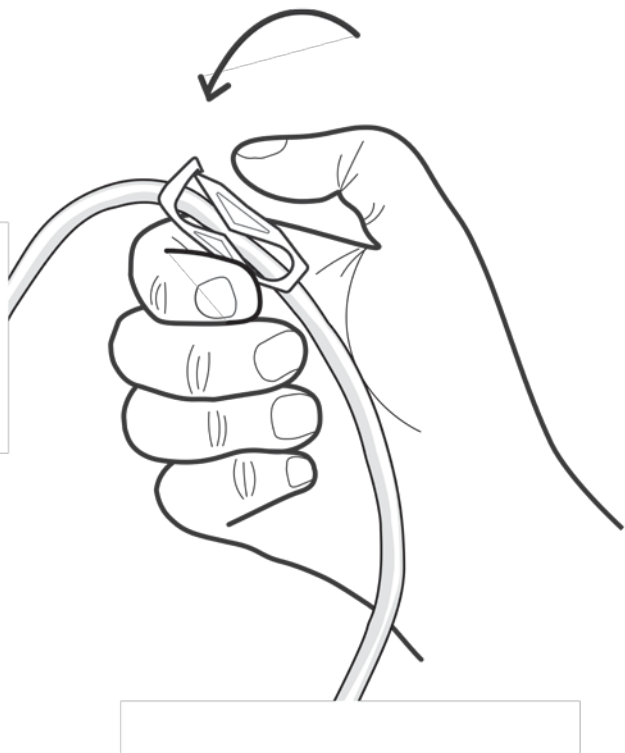
3

Insert PIN connector into organizer blue clip.



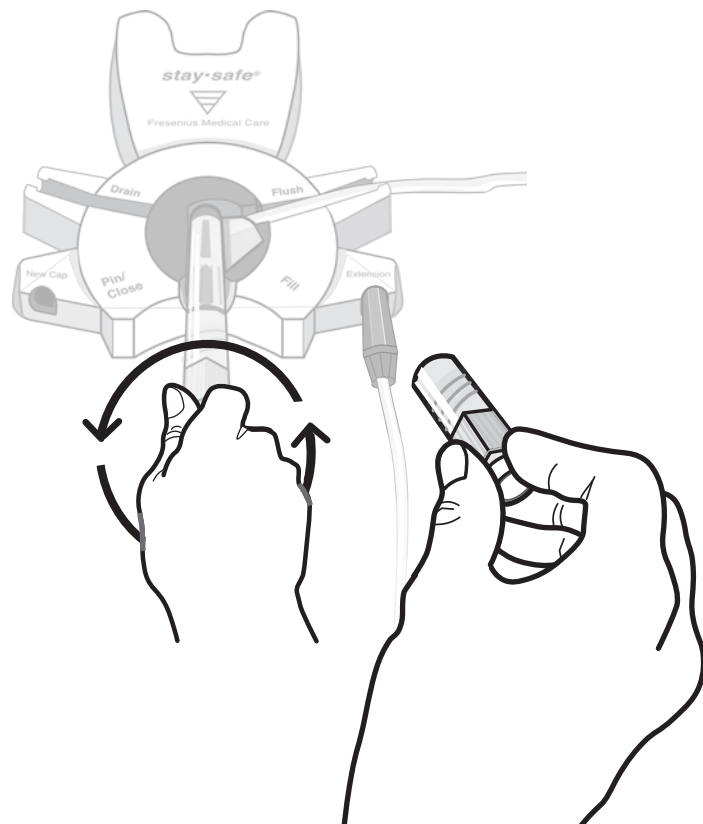
4

Insert catheter extension set into organizer notch.



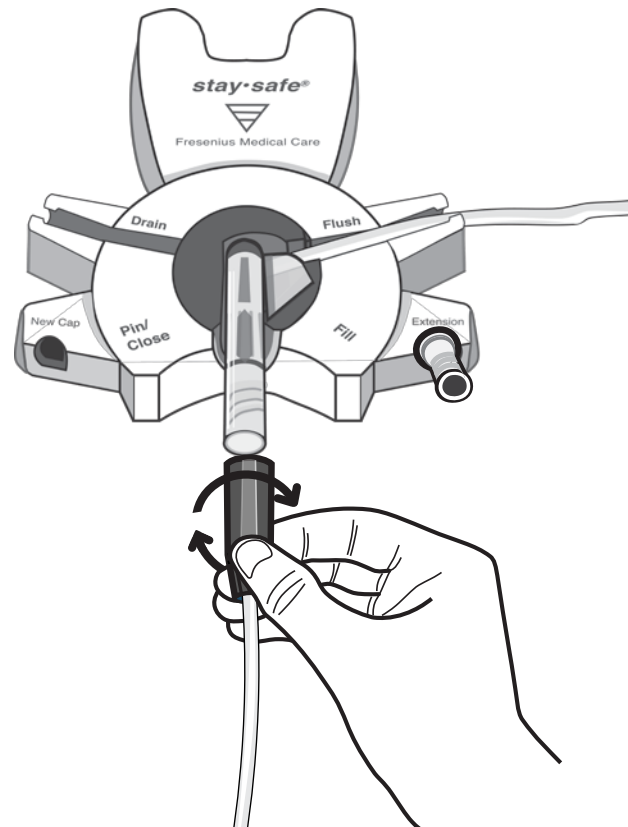
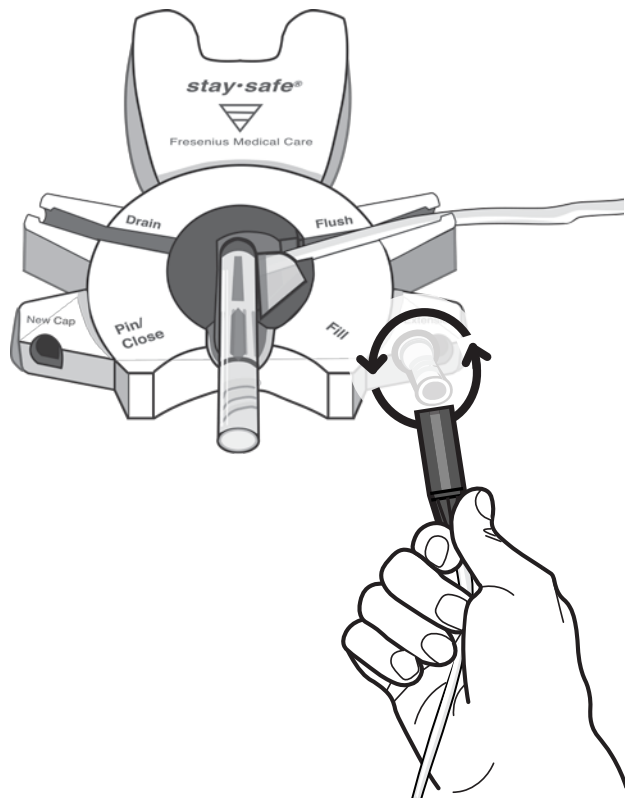
5

Make sure white clamp on catheter extension set is closed.



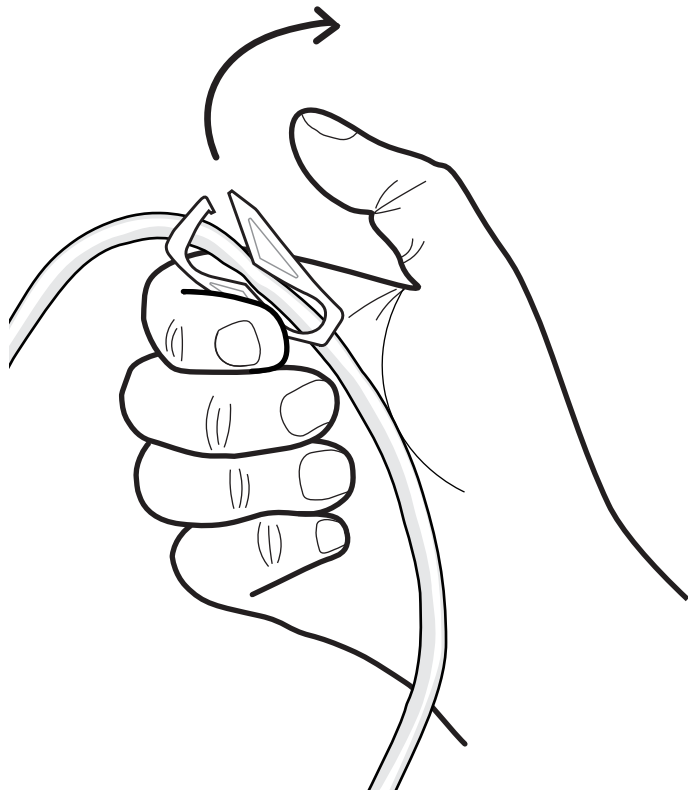
6

Unscrew and remove cap from PIN connector, and set aside.



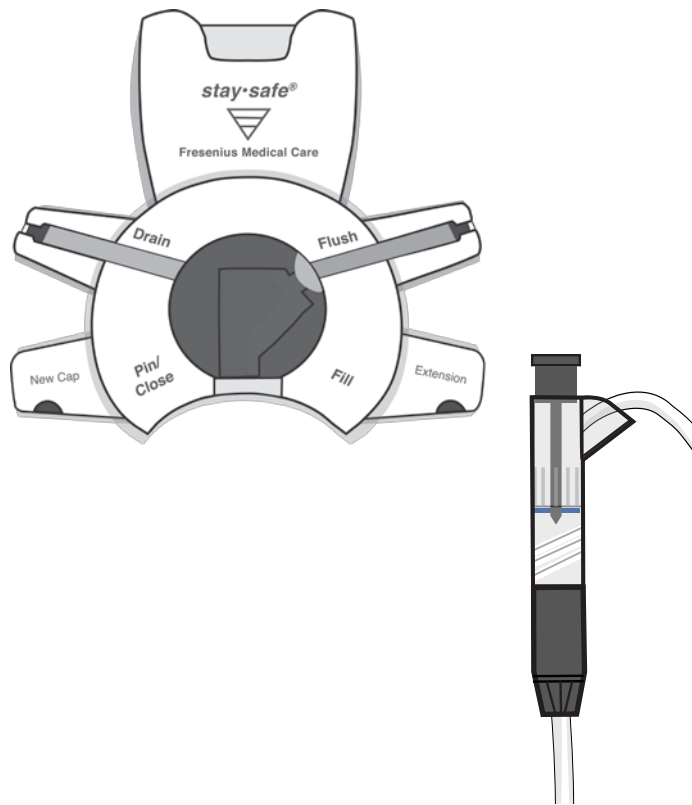
7

Unscrew the catheter extension set from its cap and immediately connect to PIN connector.



8

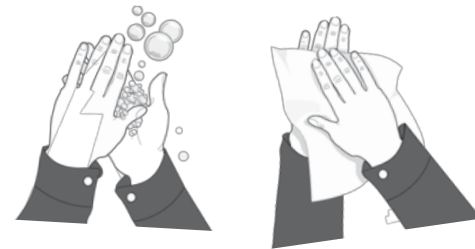
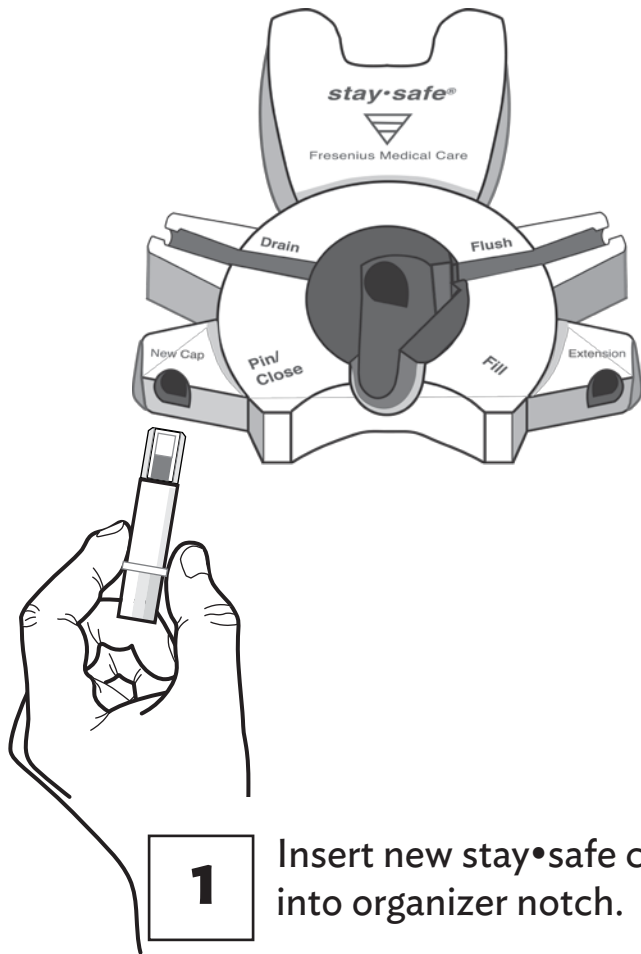
Open catheter extension set clamp and begin drain.



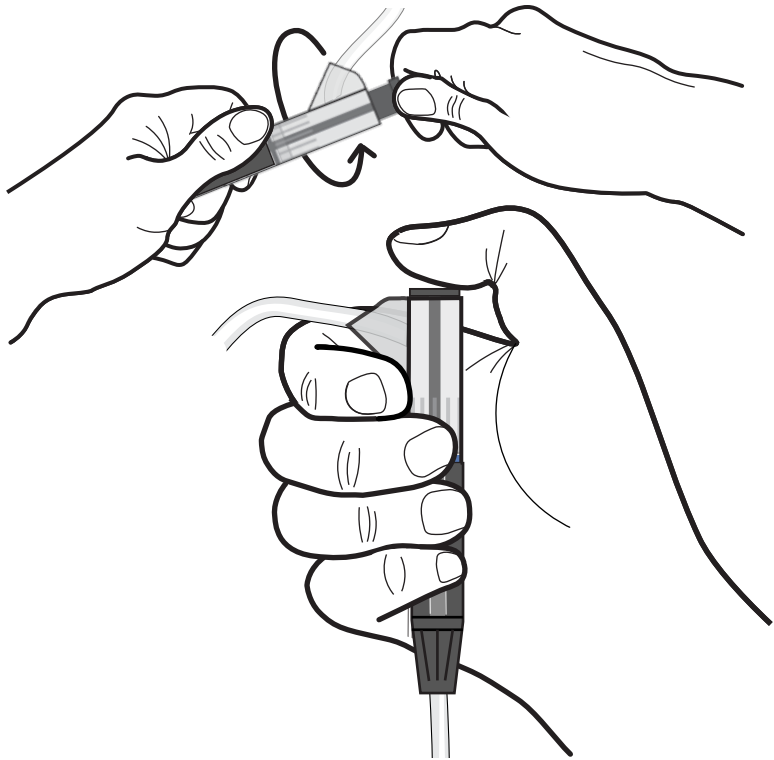
9

Remove PIN connector from organizer blue clip.

DISCONNECTING
FROM THE CATHETER EXTENSION SET

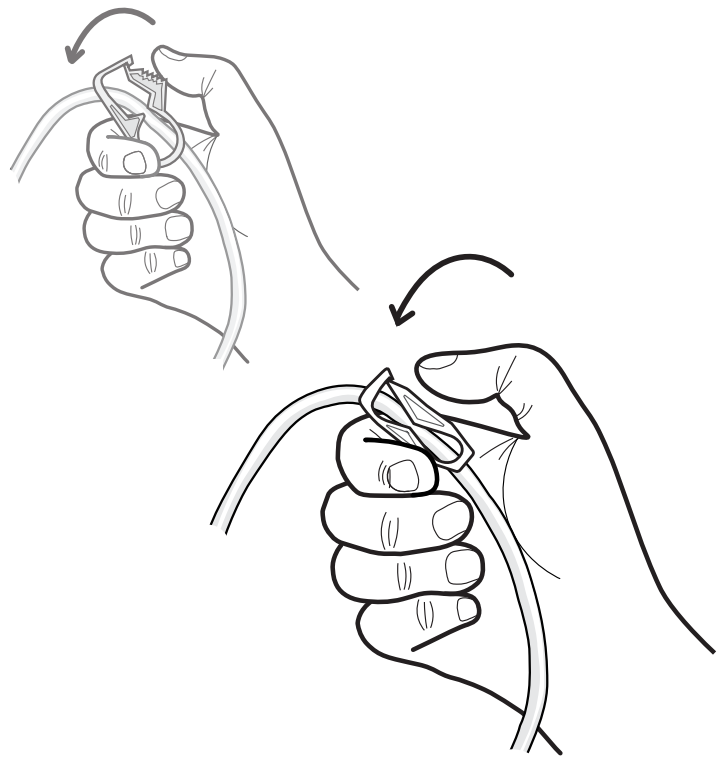


2 Use aseptic technique per facility procedure.



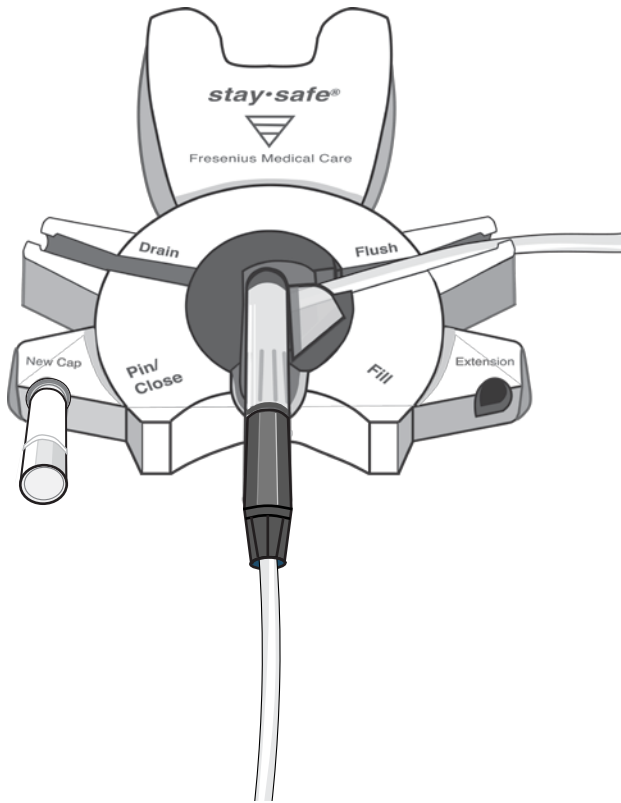
3

Turn blue button on PIN connector $\frac{1}{4}$ turn clockwise. Then, push in blue button, inserting the PIN into the catheter extension set.



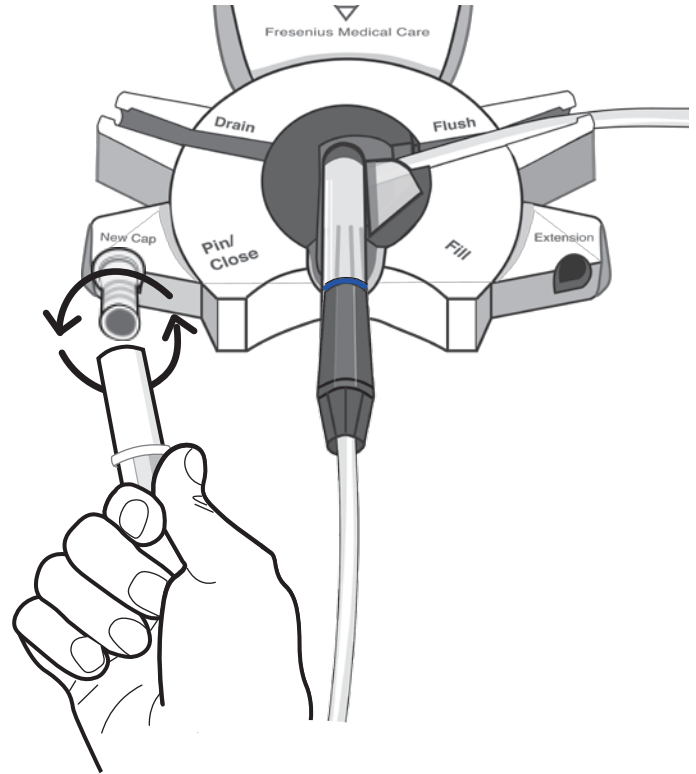
4

Close yellow clamp on drain set and close white clamp on catheter extension set.



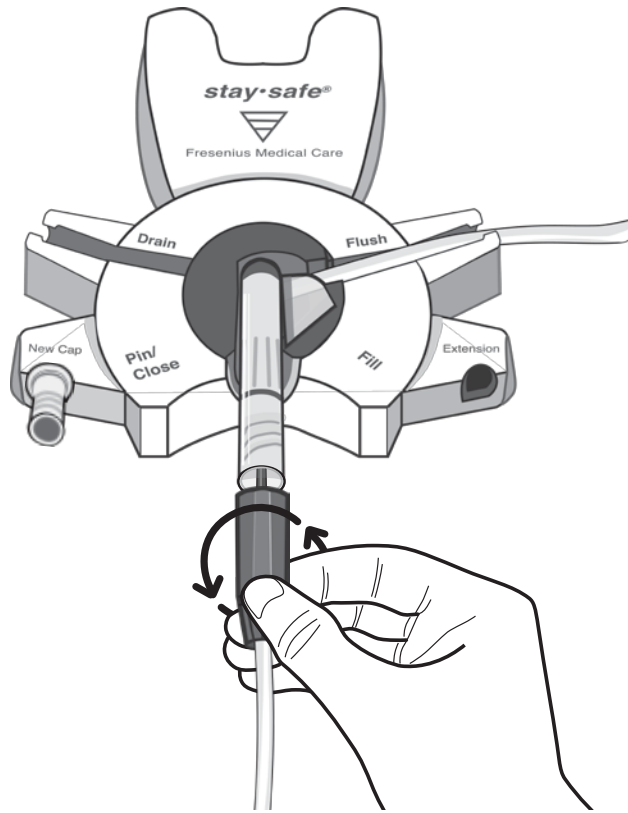
5

Insert PIN connector into organizer blue clip.



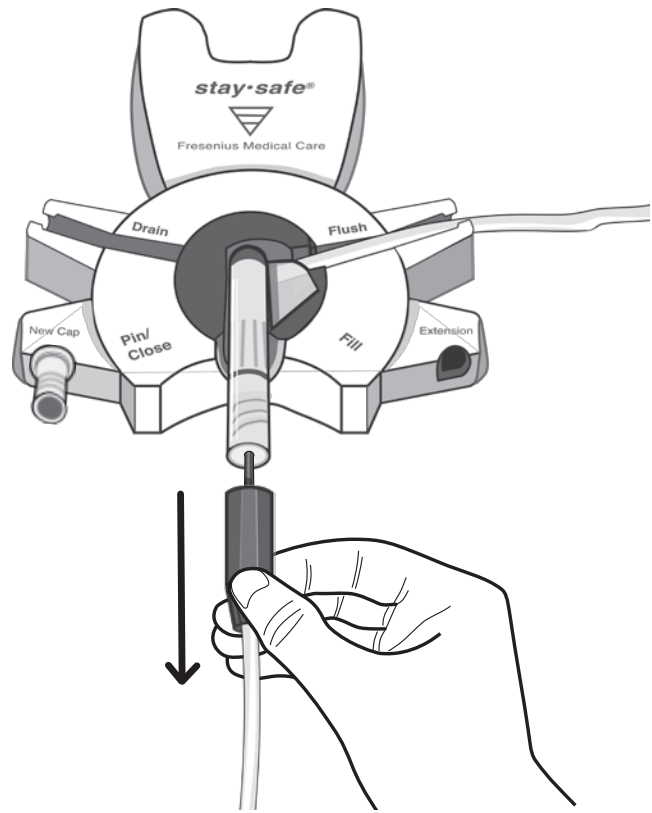
6

Unscrew and remove cover from new stay•safe cap. Set aside for later use.



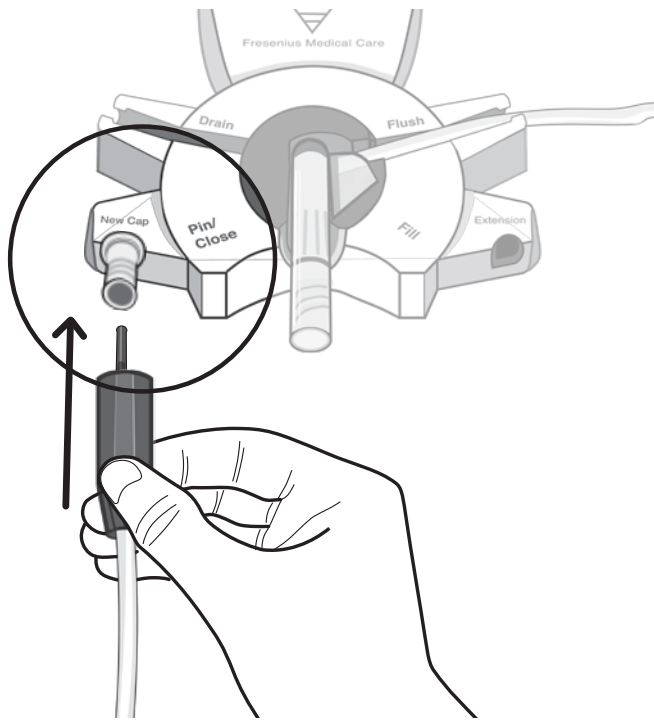
7

Unscrew catheter extension set from PIN connector.



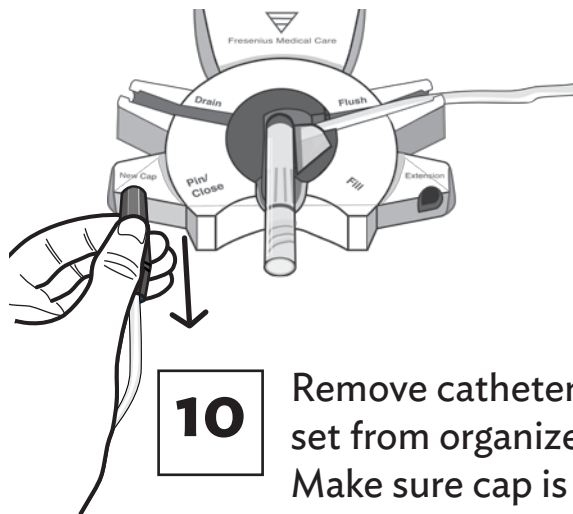
8

Carefully pull catheter extension set back from PIN connector without bending or twisting the PIN.



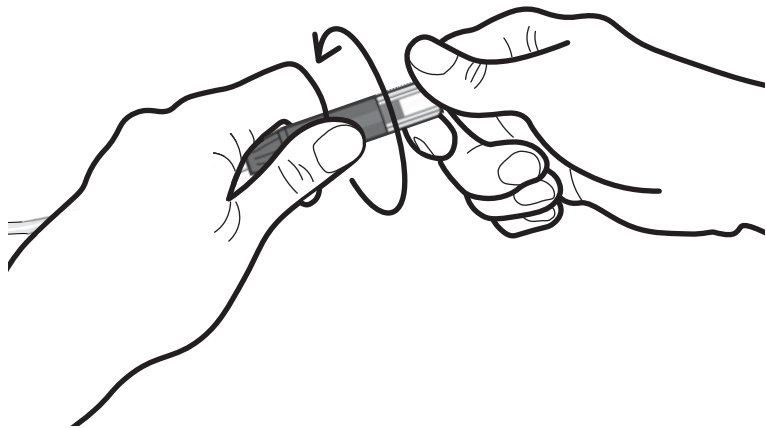
9

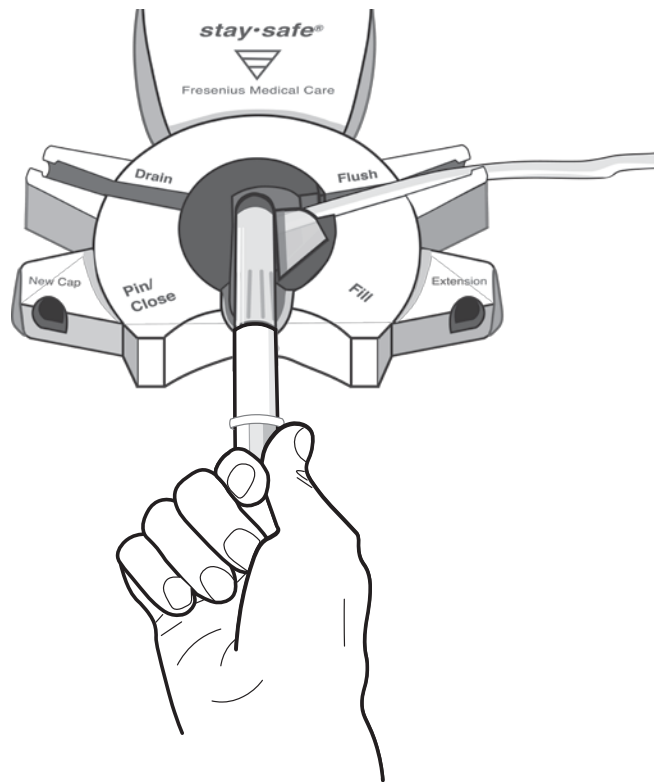
Make sure the PIN is in place. **Immediately** insert catheter extension into new stay•safe cap, and turn until tight.



10

Remove catheter extension set from organizer notch. Make sure cap is tight.





11

For disposal, place cover from stay•safe cap on PIN connector and remove from organizer.



12

Follow your PD Nurse's instructions for disposal of drain set per local regulations.



Fresenius Medical Care NA, Waltham, MA 02451